



Tank Bag Ring Manual

Please read the manual and related after-sales service terms carefully before use. Incorrect installation and use can damage the product, significantly affect safe driving, and lose related free warranty services.

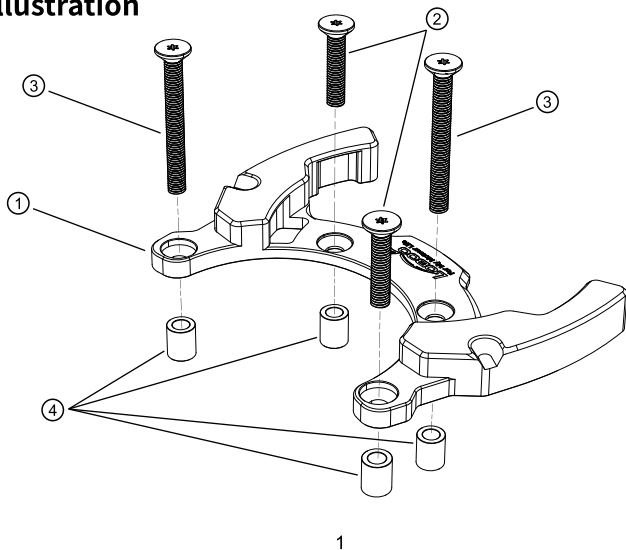
Parameter

Model: BTBZJ
Sub-model: BTBZJ221
Material: Aluminum Alloy

Accessories List

NO.	Name	Diagram	Quantity	Remarks
①	Tank Bag Ring		1 pc	
②	M5*25 Countersunk Head Hexagon Socket Set Screws		2 pcs	Torque: 3N·m
③	M5*45 Countersunk Head Hexagon Socket Set Screws		2 pcs	Torque: 3N·m
④	∅8.2*∅5*10mm Aluminum Alloy Washer		4 pcs	
⑤	4mm Hex Wrench		1 pc	
⑥	T25 Hex Wrench		1 pc	
⑦	Screw Glue		1 pc	

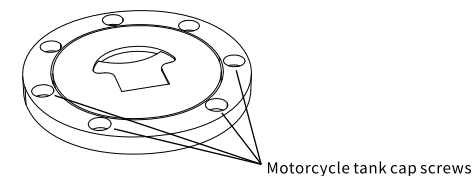
Product Illustration



1

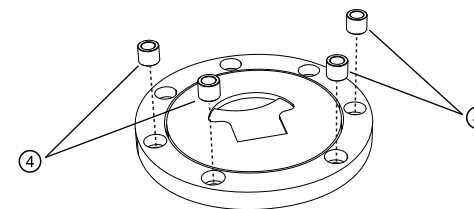
Tank Bag Ring Manual

1. Remove the corresponding screws from the motorcycle tank cap based on the screw hole positions of component ①.

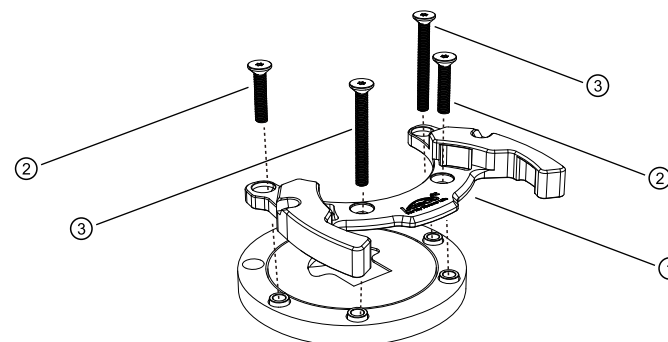


Motorcycle tank cap screws

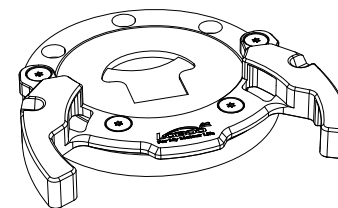
2. Place the aluminum alloy washer onto the screw holes of the tank cap.



3. Position component ① onto the aluminum alloy washer (ensure hole alignment), insert the screws, and sequentially tighten them. (Torque: 3N·m)



4. Operation completed.



2

Warranty Card

Please read this after-sales service guarantee card carefully. If you cannot accept it, please contact the dealer for return and exchange in time. Installation and use means acceptance of this after-sales service term.

After-sales Service Terms

1. One-year free warranty period, this product can enjoy free repair service within one year from the date of sale if there are quality problems under normal circumstances.
2. Limited warranty: After the one-year warranty period expires, LOBOO will provide paid warranty service, the cost is based on the actual replacement material cost, and no labor cost is charged separately.

Free Warranty Service Does Not Include The Following

1. No warranty card or cannot provide valid purchase proof.
2. Improper installation, misuse, man-made or accidental damage, self-disassembly, self-modification and repair, etc.

Return and Exchange Information

Platform ID: _____ Order Number: _____

Contact Name: _____ Contact Phone: _____

Return Address: _____

Description

Please keep this card properly and send it back with the product (copy is valid)



摩托车通用型油箱包转接底座使用说明

使用前请仔细阅读说明书及相关售后服务条款,错误的安装和使用方式会损坏本产品或对安全行车造成重大影响并失去相关的免费保修服务。

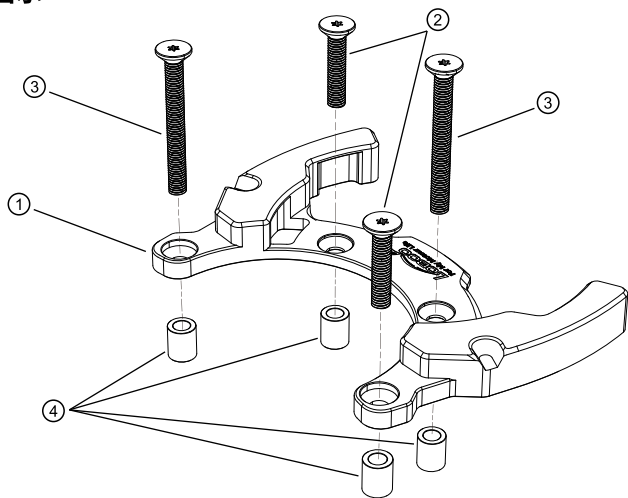
产品特性

型号:BTBZJ
款号:BTBZJ221
材质:铝合金

配件清单

序号	名称	图例	数量	备注
①	转接底座		1个	
②	M5*25沉头内六角花型螺丝		2个	扭力:3N·m
③	M5*45沉头内六角花型螺丝		2个	扭力:3N·m
④	Φ8.2*Φ5*10MM铝套		4个	
⑤	4MM内六角扳手		1个	
⑥	T25内六角花型扳手		1个	
⑦	螺丝胶		1支	

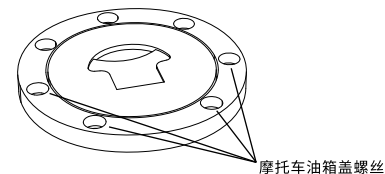
产品功能图示



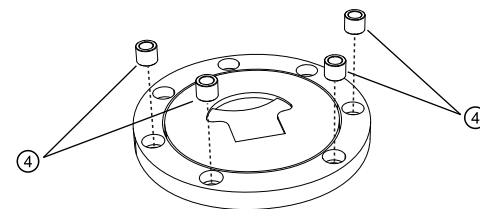
1

摩托车通用型油箱包转接底座安装说明

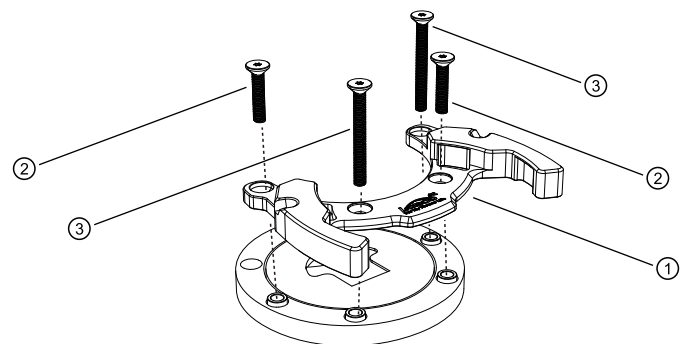
1. 根据零件①的螺丝孔位,拆除摩托车油箱盖上相应的螺丝。



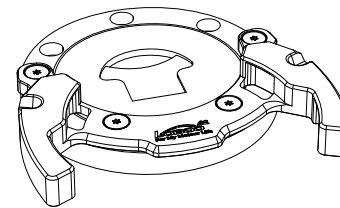
2. 将铝套分别放在油箱盖螺丝孔上。



3. 将零件①放在铝套上(注意将孔位对齐),放入螺丝,并依次紧固螺丝。(扭力:3N·m)



4. 安装完成。



2

售后服务保障卡



请仔细阅读本售后服务保障卡,如不能接受,请及时联系经销商退换货,安装并使用即表示接受此售后服务条款。

售后服务条款

1. 1年免费保修期,此款产品自售出之日起1年内,在正常情况下出现质量问题可享受免费维修服务。
2. 有限保修:1年保修时间到期后,LOBOO将提供有偿保修服务,费用以实际更换材料费用为准,不另收取人工费用。

免费保修服务不包括以下内容

1. 无保修卡或不能提供有效购买凭证。
2. 安装、使用不当、人为或意外损坏、自行拆解、自行改装和维修等。

退换货信息

平台ID: _____ 订单编号: _____

联系人姓名: _____ 联系人电话: _____

回寄地址: _____

售后事项

请妥善保管好此卡并与产品一起寄回(复印件有效)